



Highly engineered pan-tilt head featuring precision gearing. The actual unit features a machined aluminum, powder coated housing.

JPTH-13M Pan-Tilt Head

PRECISION MACHINED AND DESIGNED FOR RUGGED ENVIRONMENTS

BUILT RUGGED TO SURVIVE OUTDOORS

The JPTH-13M Pan-Tilt Head is the ideal solution for camera positioning in either a fixed and mobile application.

Being extremely rugged, this highly engineered product utilizes carefully selected components for reliable, maintenance free operation in all types of environments.

This unit features precision machining throughout with environmental protection to IP 68. The main drive gears are cut from a solid piece of high tensile strength stainless steel. It's built to operate and survive in harsh environments with an operating temperature of -30C to +70C.

The pan-tilt head is well proven with thousands in use worldwide. Operating from 12VDC, it draws less than 1.5 watts per axis making it an ideal solution for solar powered applications.

With standard features that include externally adjustable pan and tilt limit stops, feedback potentiometers and regenerative braking, this pan-tilt head is extremely easy to control and built to last.

IDEAL FOR FIXED OR MOBILE APPLICATIONS WHERE MOVING A CAMERA, WIRELESS RADIO, SMALL ANTENNA, IR LIGHTS, OR AUDIO MONITORING EQUIPMENT IS REQUIRED

FEATURES

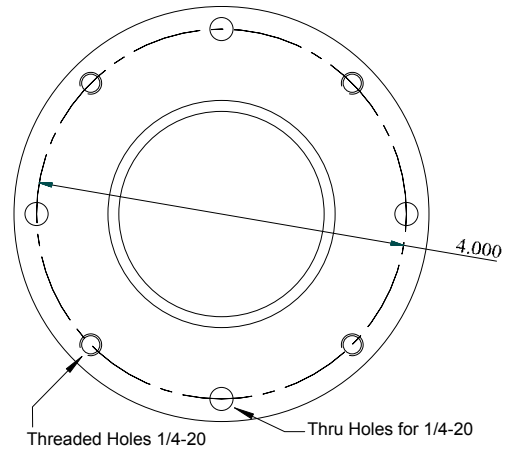
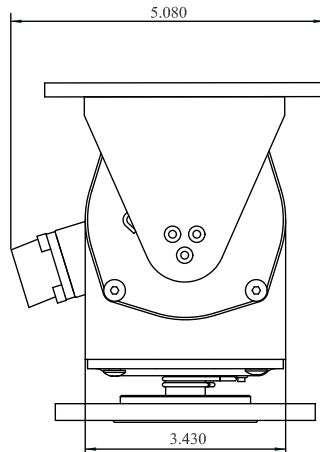
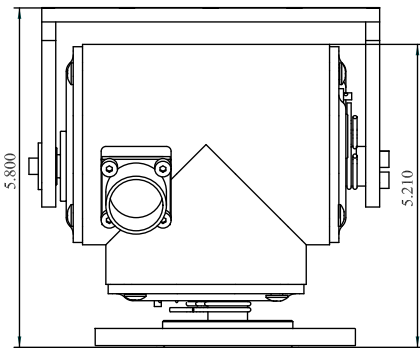
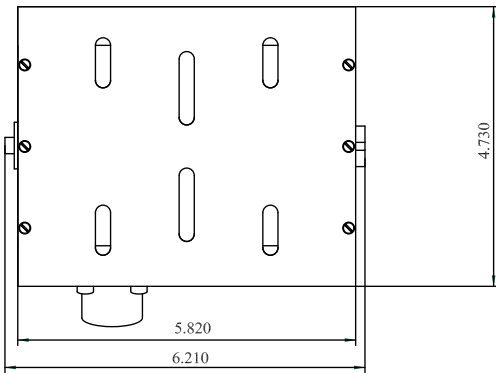
- **Precision Machined Pan-Tilt Head (capable of moving a 13 lbs load)**
- **Main Gear is High Tensile Strength Stainless Steel**
- **Rugged Construction; Ideal for Fixed or Mobile Applications**
- **Externally Adjustable Mechanical Limit Stops**
- **Precision Feedback Potentiometers Built In**
- **Regenerative Braking**
- **Operating Voltage 12VDC**
- **Draws Less Than 1.5 watts Per Axis; Ideal for Solar Applications**
- **Fasteners Are Hardened Stainless Steel**
- **IP68 Rated**
- **Operating Temperature -30C to +70C**
- **1-Year Warranty**
- **Features Bayonet Coupling Nickle Plated Connector MIL-C-26482**
- **Features Graphite Impregnated Bearings For Quiet Operation - Never Needs Lubrication or Maintenance**



Connector view of JPTH-13M Pan-Tilt Head

[TECHNICAL SPECIFICATIONS]

Height:	5.800 in	Feedback:	Precision 5K Pot (1 Per Axis) Requires 5VDC Ref. Voltage
Width:	6.210 in	Connector:	Nickel Plated MIL-C-26482 14-15
Depth:	5.08 in with connector	Speed:	Pan = 28 Deg/Sec Tilt = 8 Deg/Sec
Materials:	Machined Alum w/ Stainless Fasteners Anodized Alum Mounting Ring Graphite Impregnated Bearings for Quiet Operation Ball Bearings on Major Axes	Capacity:	13 lbs or less (6" above center line of tilt axis)
Paint:	Powder Coat	Rotation Limits:	Pan = 0 to 350 Deg Tilt = -90 Deg Down to +30 Deg Up
Mounting Plate:	Width = 5.820 in Depth = 4.730 in Slots = 1/4 in Hardware or Smaller	Color:	Similar to RAL 9018
Weight:	5 Lbs	Backlash:	< 0.15 Deg
Voltage:	12VDC +/- 5%	Maintenance:	None Required
Power:	Less than 1.5 W per Axis	Operating Temp:	-30C to +70C No Heating or Cooling Required
Braking:	Regenerative	Weatherproof:	IP68
		Warranty:	1-Year



Mounting Ring Drawing

Options Available

- Mounting Arm
- Pole Mount Adapter
- Corner Mount Adapter

For IP based control of the JPTH-13M, complete systems featuring a NEMA 4X enclosure, PWM IP controller, universal input AC/DC power supply and all necessary interconnecting cables are available. All systems utilize hardened components and do not require any heating or cooling.

J-Systems, Inc.

1 South 678 School Ave., Lombard, IL 60148
T 630-627-3458 F 630-620-0960
Web Site: <http://J-Systems.com> E-Mail: info@J-Systems.com