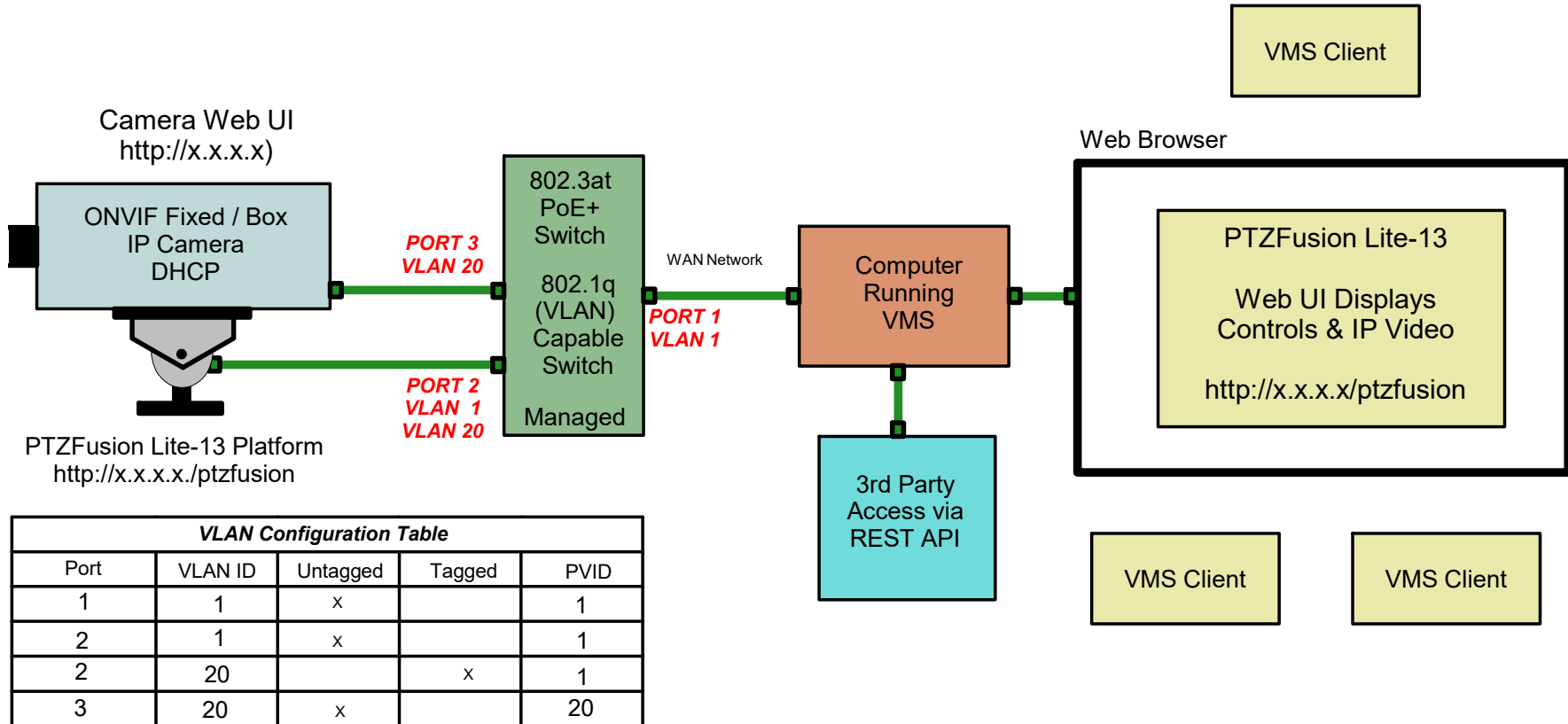


Using the PTZFusion Lite-13 in an ONVIF Configuration



		J-Systems, Inc.		
		1S 678 School St. Lombard, IL 60148 T 630-627-3458 F 630-620-0960		
		TITLE PTZ Fusion Lite-13 Platform ONVIF Configuration		
Do Not Scale Drawing		SIZE A	DWG No. 0000510	MATERIAL
<i>All Dimensions in inches as shown</i>		<u>Tolerances</u> .x +/- .05" .xx +/- .01" .xxx +/- .005"		REV
				SCALE None