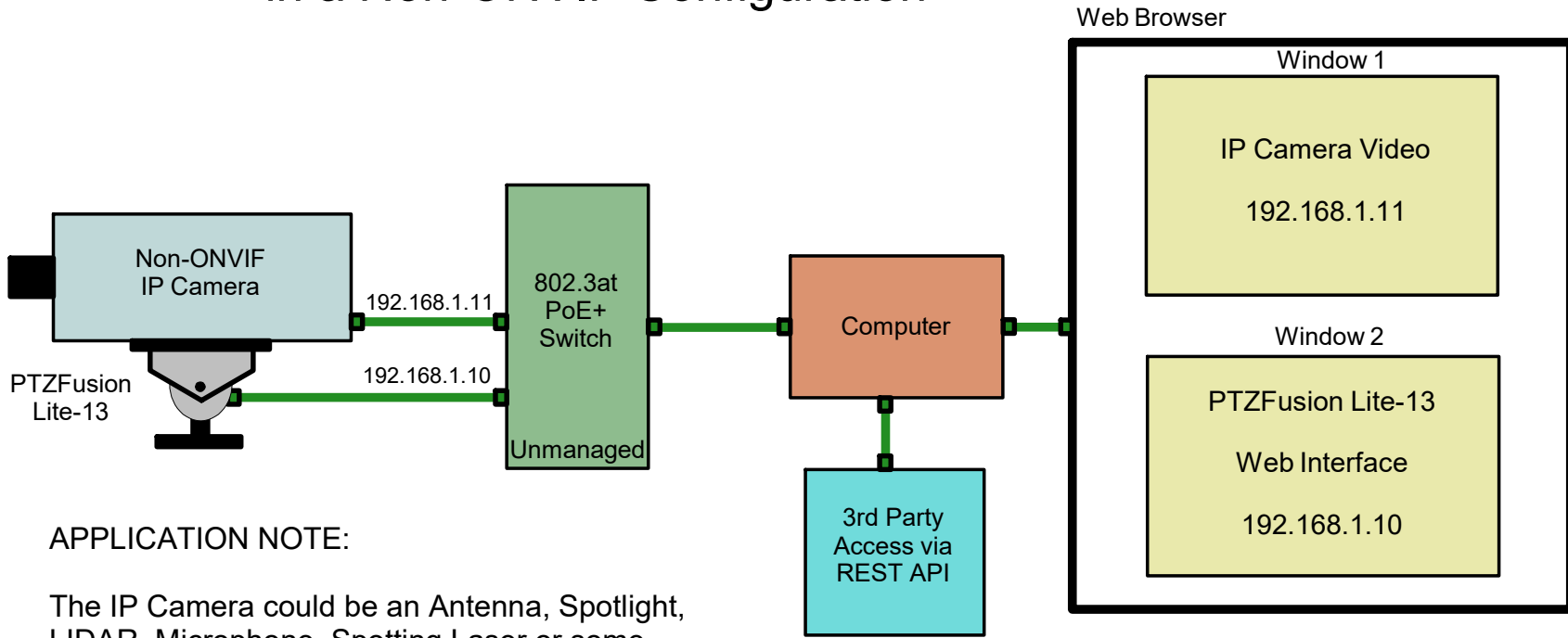


# Using the PTZFusion Lite-13 in a Non-ONVIF Configuration



## APPLICATION NOTE:

The IP Camera could be an Antenna, Spotlight, LIDAR, Microphone, Spotting Laser or some other sensor requiring azimuth and elevation adjustment.

		<b>J-Systems, Inc.</b> 1S 678 School St. Lombard, IL 60148 T 630-627-3458 F 630-620-0960		
		TITLE PTZ Fusion Lite-13 Platform Non-ONVIF Configuration		
Do Not Scale Drawing		SIZE <b>A</b>	DWG No. <b>0000511</b>	MATERIAL
<i>All Dimensions in inches as shown</i>	<u>Tolerances</u>		SCALE None	REV
	.x +/- .05"	.xx +/- .01"	RWJ 04-18-2025	SHEET 1 of 1
	.xxx +/- .005"			